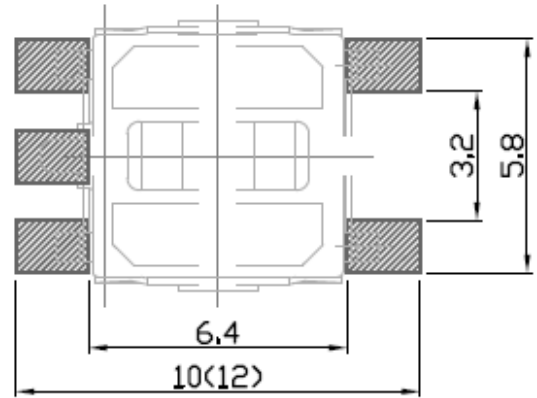
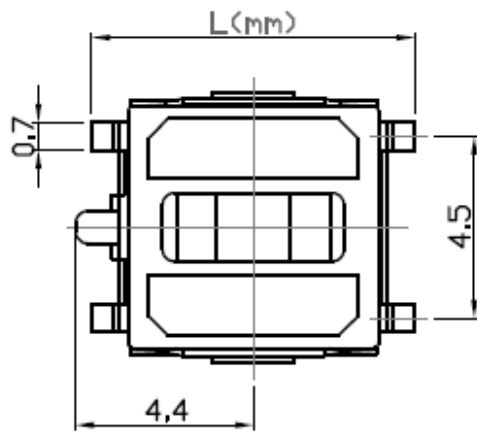
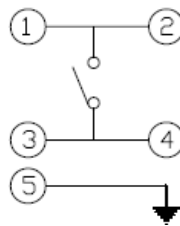


P.C.B MOUNTING PATTERN DIMENSION
The following soldering patterns are recommended for reflow soldering



CIRCUIT DIAGRAM



SPECIFICATIONS

1. RATING : DC 12V, 50mA Max.
2. CIRCUIT : 1C-1P
3. OPERATING FORCE :
4. N=160±30gf,R=250±30gf
5. CONTACT RESISTANCE : 100mΩ Max.
6. TRAVEL : 0.25±0.1 mm
7. LIFE : 100,000 Cycles Min.

5	C/Plate	PBSR	C5210R-EH	Ag clad			
4	Stem	PolyAmide	PA6T	94HB			
3	Cover	STS301		Sn plating	TS04M-G-C	3.4	
2	Case	PolyAmide	PA6T	94HB	TS04M-G-B	3.1	
1	Terminal	Brass	C2680R-H(t=0.3)	Ag plating	TS04M-G-A	2.5	8
NO	Parts	Material	Specification	Remark	MODEL NO.	H	L



銓基電子股份有限公司
ROKI ELECTRONICS CO., LTD.

PART NAME : TACT SWITCH

SCALE :

PART NO : TS04M-G-PF Series

UNIT : mm

TOLERANCE : ±0.3 mm



VER : R04